

LT-401 CONVERTER

DALI is the young generation lighting control protocol in the realm of lighting control, which adopt Manchester Encoding Transmission, with overall, grouping dimming, addressing dimming, various scene mode set, brightness traced, breakdown feed backed, etc. powerful dimming function. DALI protocol bus-mastering with simple, reliable, superior function etc. features, are used widely, showing the powerful advantage in the realm of intelligent lighting control.

DALI bus-mastering protocol is the intelligent lighting master match using with the dimmable ballast before used to adjust the lighting scenarios of the fluorescent. DALI LED dimming driver launched by Sheenly adopt the newest DALI standard IEC62386, can connect any equipment that accord with DALI protocol to 1 DALI bus-mastering ,which realize the LED lighting products and traditional lighting integrated in the same lighting system , greatly facilitate the users.

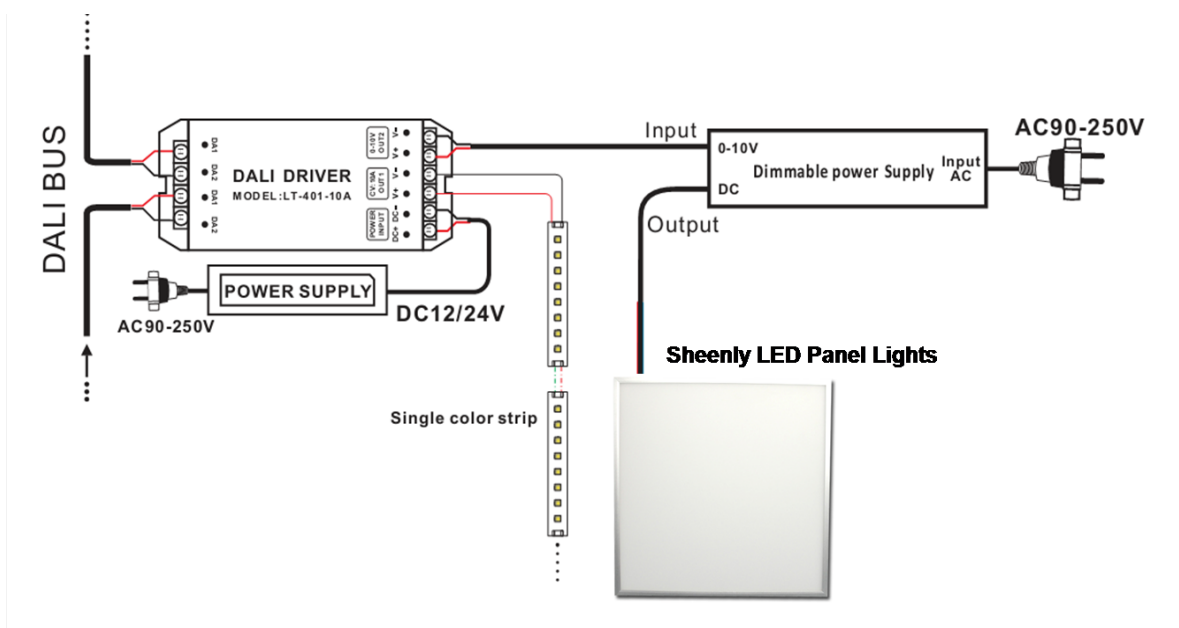


LT-401 CV Dimming Converter

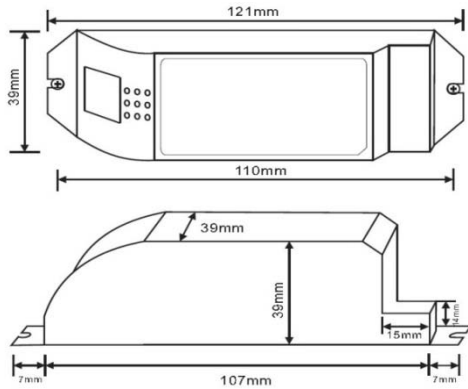
Input signal	DALI digital dimming signal
Input voltage	DC12V~DC24V
Output	10A x1CH + 0-10V x1CH
Max output power	120W(12V) 240W(24V)
working temperature	-30℃~55℃
Dimension	L121xW39xH39(mm)
Package Size	L123xW42xH42(mm)
Weight (G.W)	90g



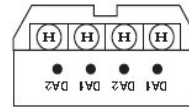
1. Connecting LED lights and Offer 0-10V dimming signal to drive other equipment



Product dimension

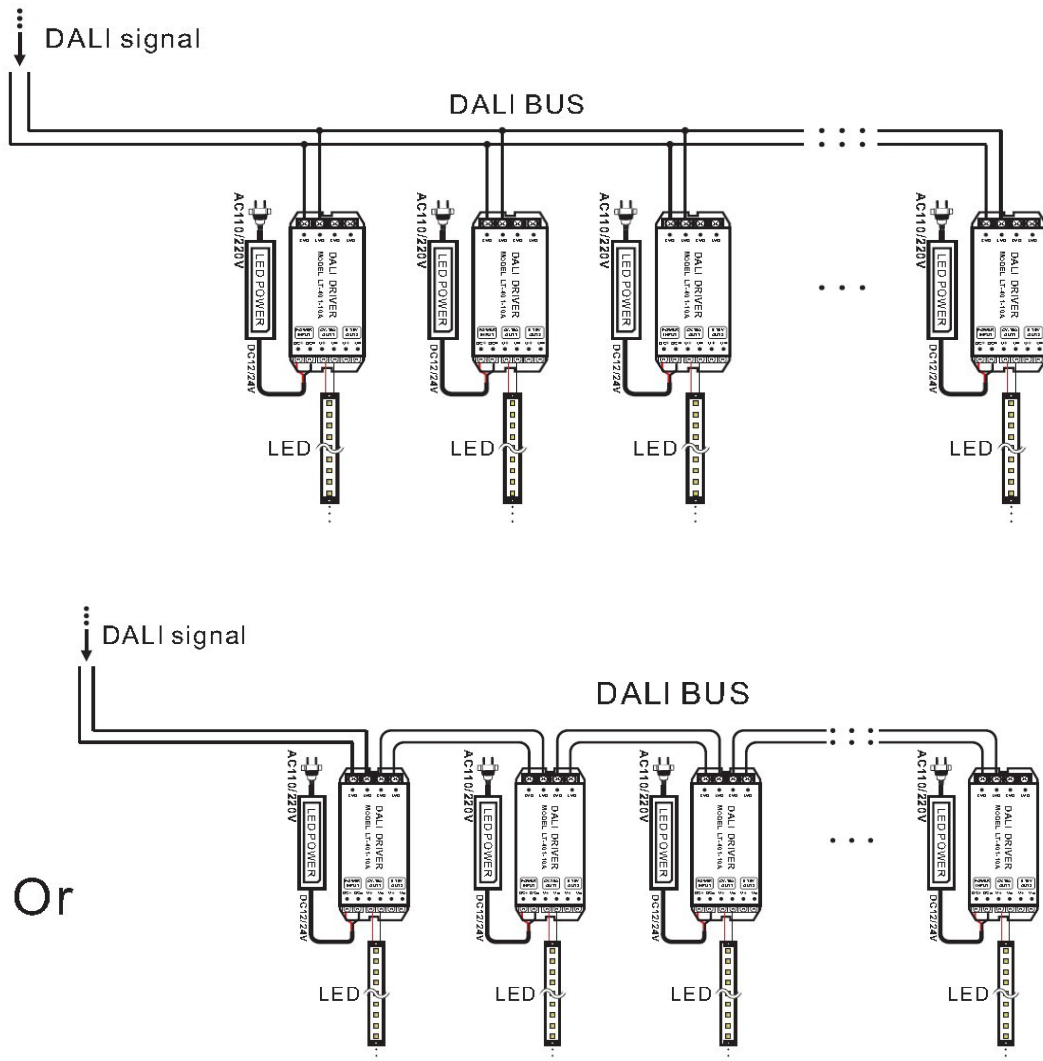


Conjunction Diagram

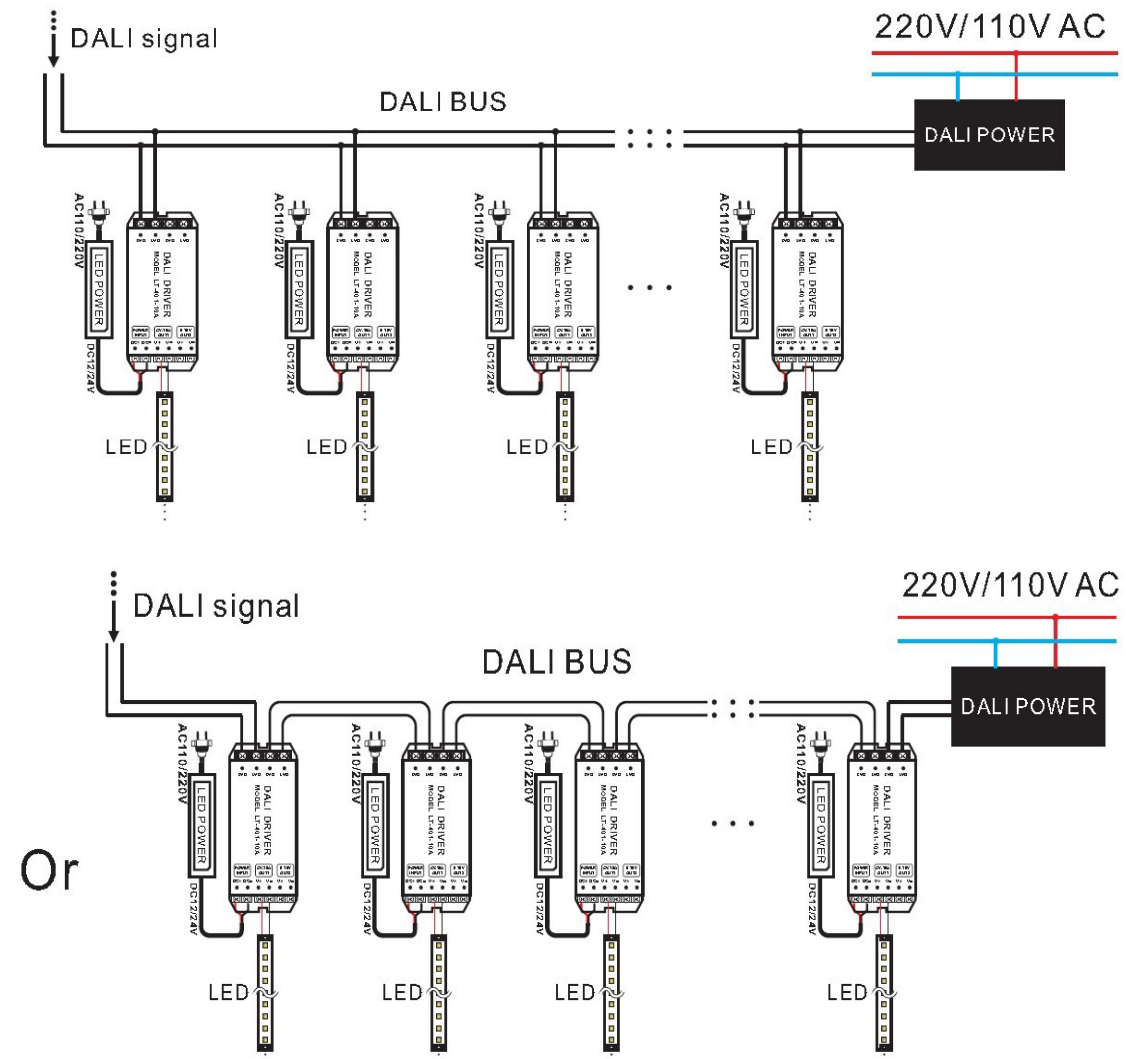


DALI bus no need distinguish plus-minus polarity

2. Active DALI bus in connection method



3. Passive DALI bus in connection method



Sheenly Lighting Co., Ltd.
 No. 88 Zhuyuan Road, Minhang District
 Shanghai 201112, China
 Tel: (+86)-21-6411 3138
 Fax: (+86)-21-6411 3138 - 632

*All specifications subject to change without notice.

©2012 Sheenly Lighting all rights reserved.